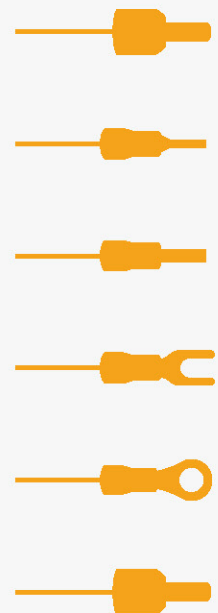


DOIN ELECTRIC

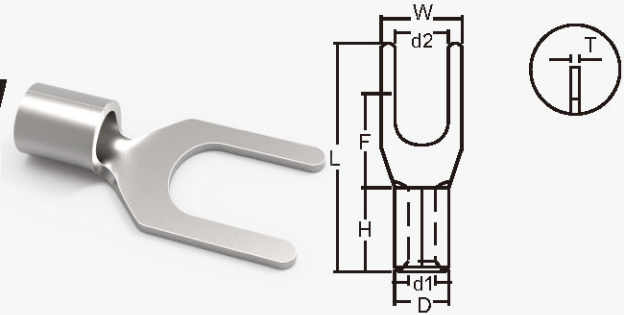


DEXIN ELECTRIC TECHNOLOGY

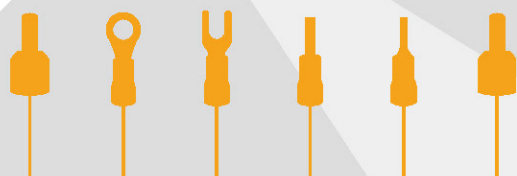
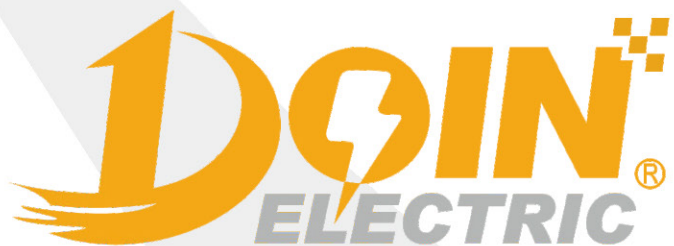
www.doinele.com



Non-insulated Fork / Spade terminals



Available range	Stud Size	Item No.	American	Dimensions (mm)			
				d2	W	F	L
Cross-section: 0.75-1.5mm² A.W.G.: 22-16 I_{max}=19A Surface handling: Tin / 3μ Annealing: Yes H=4.8 d1=1.7 D=3.4 T=0.8	M3	SNB1.25-3.2	#4	3.2	5.7	6.50	16.0
	M3.5	SNB1.25-3.7S	#6	3.7			
	M3.5	SNB1.25-3.7L	#6	3.7	6.4		
	M4	SNB1.25-4S	#8	4.3	6.4		
	M4	SNB1.25-4M	#8	4.3	7.2		
	M4	SNB1.25-4L	#8	4.3	8.1		
	M5	SNB1.25-5S	#10	5.3	9.5		
	M5	SNB1.25-5L	#10	5.3			
	M6	SNB1.25-6S	1/4"	6.4	12.0		
M6	SNB1.25-6L	1/4"	6.4				
M8	SNB1.25-8	5/16"	8.5	13.5			
Cross-section: 1.5-2.5mm² A.W.G.: 16-14 I_{max}=27A Surface handling: Tin / 3μ Annealing: Yes H=4.8 d1=2.3 D=4.0 T=0.8	M3	SNB2-3.2	#4	3.2	5.7	6.5	16.0
	M3.5	SNB2-3.7S	#6	3.7			
	M3.5	SNB2-3.7L	#6	3.7	6.0		
	M4	SNB2-4S	#8	4.3	6.4		
	M4	SNB2-4M	#8	4.3	6.4		
	M4	SNB2-4L	#8	4.3	8.1		
	M5	SNB2-5S	#10	5.3	9.3		
	M5	SNB2-5L	#10	5.3			
	M6	SNB2-6S	1/4"	6.4	12.0		
M6	SNB2-6L	1/4"	6.5				
M8	SNB2-8	5/16"	8.5	13.5			
Cross-section: 2.5-6mm² A.W.G.: 14-12 I_{max}=37A Surface handling: Tin / 3μ Annealing: Yes H=6.0 d1=2.9 D=5.0 T=1.0	M3.5	SNB3.5-3.7	#6	3.7	8.0	7.0	18.3
	M4	SNB3.5-4	#8	4.3			
	M5	SNB3.5-5	#10	5.3			
	M6	SNB3.5-6	1/4"	6.4	12.0	9.1	21.5
	M8	SNB3.5-8	5/16"	8.5	14.0	11.5	23.7
	M10	SNB3.5-10	3/8"	10.5	17.5	12.5	26.5
Cross-section: 4-6mm² A.W.G.: 12-10 I_{max}=48A Surface handling: Tin / 3μ Annealing: Yes H=6.0 d1=3.4 D=5.5 T=1.0	M3.5	SNB5.5-3.7S	#6	3.7	7.2	7.5	17.4
	M3.5	SNB5.5-3.7	#6	3.7	8.3	7.0	18.5
	M4	SNB5.5-4S	#8	4.3	7.2	7.5	17.4
	M4	SNB5.5-4L	#8	4.3	9.0	7.0	18.3
	M5	SNB5.5-5	#10	5.3			
	M6	SNB5.5-6S	1/4"	6.4			
	M6	SNB5.5-6L	1/4"	6.4	12.0	12.0	24.5
	M8	SNB5.8-8	5/16"	8.4	14.0	10.5	23.5
M10	SNB5.5-10	3/8"	10.5	17.5	12.5	26.5	
Cross-section: 6-10mm² A.W.G.: 8 I_{max}=62A Surface handling: Tin / 3μ Annealing: Yes H=8.5 d1=4.5 D=7.2 T=1.2	M4	SNB8-4	#8	4.3	9.0	7.6	20.8
	M5	SNB8-5	#10	5.3	10.5	8.1	
	M6	SNB8-6	1/4"	6.4	10.8	8.6	22.5
	M8	SNB8-8	5/16"	8.5	13.8	10.7	25.4
	M10	SNB8-10	3/8"	10.5	15.9		
Cross-section: 10-16mm² A.W.G.: 6 I_{max}=88A Surface handling: Tin / 3μ Annealing: Yes H=10.5 d1=5.8 D=9 T=1.4	M4	SNB14-4	#8	4.3	9.0	9.5	25.5
	M5	SNB14-5	#10	5.3			
	M6	SNB14-6	1/4"	6.4	11.0	10.7	25.5
	M8	SNB14-8	5/16"	8.4	13.8	10.7	28.5
	M10	SNB14-10	3/8"	10.5	15.9		
Cross-section: 16-25mm² A.W.G.: 4 I _{max} =115A Surface handling: Tin / 3μ Annealing: Yes H=12.0 d1=7.7 D=11.5 T=1.6	M5	SNB22-5	#10	5.3	11.0	9.5	27.8
	M6	SNB22-6	1/4"	6.5			
	M8	SNB22-8	5/16"	8.5			
	M10	SNB22-10	3/8"	10.5			



WENZHOU DEXIN ELECTRICTECHNOLOGY CO., LTD

www.doinele.com

Add: No.1888 Feihong S.Road, 325608 Wenzhou City, Zhejiang Provice R.P.C.